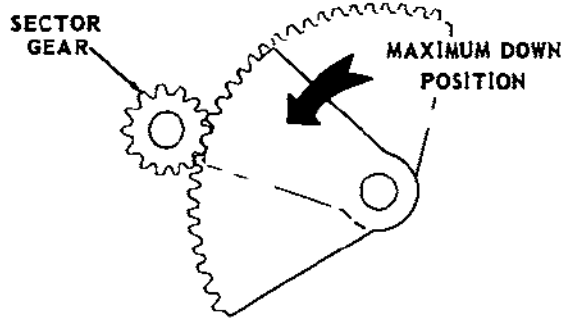
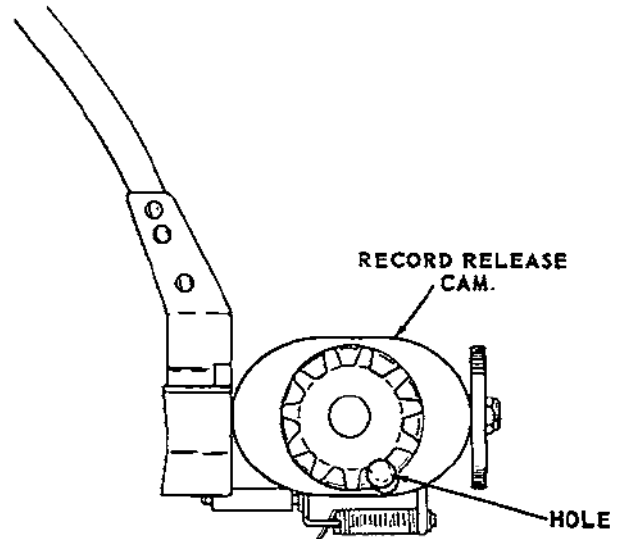


● INSTALL TRANSFER ARM ASSEMBLY



1. Rotate the Transfer Motor Shaft until the Sector Gear is in the maximum down position.



2. Turn the Record Release Cam so that the Gripper Jaws are retracted and the hole in the Cam is down.

3. Move the Transfer Assembly down between the supports on the Base. Insert the two Bearing Pins so that the holes in the pins are aligned with the retaining screw holes in the supports. Thread the retaining screws all the way in.

